

Series
SRP



Series
SRN



■ **Applications**

Silencer is applied for noise absorption produced during the ventilating equipment operation and spread along the ducting systems. Suitable for installation into round ducts. The silencer reduces the noise level in the air duct significantly (refer the diagram «Noise level reduction»). The silencer is applied jointly with the sound-insulated fan in case of high level requirements not only to the air duct but to the equipment altogether.

■ **Design**

- **SRP** silencer consists of external and internal flexible air duct made of aluminum foil and laminated with polyether film. The ducts are reinforced by the scroll

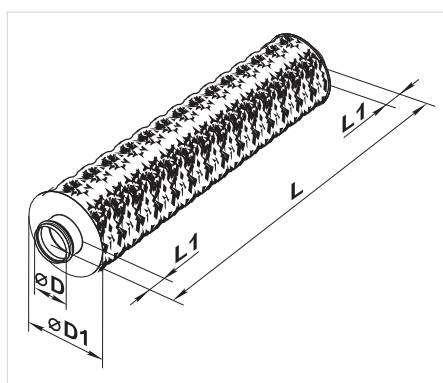
frame made of high-carbon steel wire. The internal air duct is made of micro-perforated aluminium foil. 25 mm mineral wool layer is laid between the air ducts. The silencer is equipped with the connecting flanges with rubber sealing that provides the airtight connection to the air ducts. Each standards size has several length modifications.

- **SRN** silencer consists of the internal and external flexible air duct made of metallized polyether film. The ducts are reinforced by the scroll frame made of high-carbon steel wire. 25 mm mineral woollayer is laid between the air ducts. The silencer is equipped with connecting flanges with rubber sealing which provides the airtight connection to the air ducts. Each standards

size has several length modifications.

■ **Mounting**

The silencer design allows fixing it on the round ducts in any position by means of clamps. Installation in series is preferable to attain the better effect. To prevent the flexible silencer sagging it should be fixed not only at the ends but in the middle as well.



Designation key:

Series	Air duct diameter, mm	Length
SRP SRN	100; 125; 150; 160; 200; 250; 315	500; 600; 750; 900; 1200; 1500; 2000

Overall dimensions:

Type	Dimensions [mm]				Mass [kg]
	∅D	∅D1	L	L1	
SRP 100/500	99	162	600	50	0,56
SRP 100/600	99	162	700	50	0,62
SRP 100/750	99	162	850	50	0,72
SRP 100/900	99	162	1000	50	0,82
SRP 100/1200	99	162	1300	50	1,02
SRP 100/1500	99	162	1600	50	1,22
SRP 100/2000	99	162	2100	50	1,55
SRP 125/500	124	187	600	50	0,66
SRP 125/600	124	187	700	50	0,74
SRP 125/750	124	187	850	50	0,86
SRP 125/900	124	187	1000	50	0,97
SRP 125/1200	124	187	1300	50	1,21
SRP 125/1500	124	187	1600	50	1,44
SRP 125/2000	124	187	2100	50	1,83
SRP 150/500	149	212	600	50	0,91
SRP 150/600	149	212	700	50	1,00
SRP 150/750	149	212	850	50	1,14
SRP 150/900	149	212	1000	50	1,27
SRP 150/1200	149	212	1300	50	1,54
SRP 150/1500	149	212	1600	50	1,81
SRP 150/2000	149	212	2100	50	2,27
SRP 160/500	159	212	600	50	0,94
SRP 160/600	159	212	700	50	1,03
SRP 160/750	159	212	850	50	1,16
SRP 160/900	159	212	1000	50	1,30
SRP 160/1200	159	212	1300	50	1,57
SRP 160/1500	159	212	1600	50	1,84
SRP 160/2000	159	212	2100	50	2,29
SRP 200/500	199	264	600	50	1,25
SRP 200/600	199	264	700	50	1,36
SRP 200/750	199	264	850	50	1,53
SRP 200/900	199	264	1000	50	1,71
SRP 200/1200	199	264	1300	50	2,05
SRP 200/1500	199	264	1600	50	2,40
SRP 200/2000	199	264	2100	50	2,98
SRP 250/500	249	314	600	50	1,53
SRP 250/600	249	314	700	50	1,67
SRP 250/750	249	314	850	50	1,88
SRP 250/900	249	314	1000	50	2,09
SRP 250/1200	249	314	1300	50	2,51
SRP 250/1500	249	314	1600	50	2,93
SRP 250/2000	249	314	2100	50	3,63
SRP 315/500	314	365	600	50	1,87
SRP 315/600	314	365	700	50	2,04
SRP 315/750	314	365	850	50	2,30
SRP 315/900	314	365	1000	50	2,55
SRP 315/1200	314	365	1300	50	3,06
SRP 315/1500	314	365	1600	50	3,56
SRP 315/2000	314	365	2100	50	4,41

Overall dimensions:

Type	Dimensions [mm]				Mass, [kg]
	∅D	∅D1	L	L1	
SRN 100/500	99	162	600	50	0,56
SRN 100/600	99	162	700	50	0,62
SRN 100/750	99	162	850	50	0,72
SRN 100/900	99	162	1000	50	0,82
SRN 100/1200	99	162	1300	50	1,02
SRN 100/1500	99	162	1600	50	1,22
SRN 100/2000	99	162	2100	50	1,55
SRN 125/500	124	187	600	50	0,66
SRN 125/600	124	187	700	50	0,74
SRN 125/750	124	187	850	50	0,86
SRN 125/900	124	187	1000	50	0,97
SRN 125/1200	124	187	1300	50	1,21
SRN 125/1500	124	187	1600	50	1,44
SRN 125/2000	124	187	2100	50	1,83
SRN 150/500	149	212	600	50	0,91
SRN 150/600	149	212	700	50	1,00
SRN 150/750	149	212	850	50	1,14
SRN 150/900	149	212	1000	50	1,27
SRN 150/1200	149	212	1300	50	1,54
SRN 150/1500	149	212	1600	50	1,81
SRN 150/2000	149	212	2100	50	2,27
SRN 160/500	159	212	600	50	0,94
SRN 160/600	159	212	700	50	1,03
SRN 160/750	159	212	850	50	1,16
SRN 160/900	159	212	1000	50	1,30
SRN 160/1200	159	212	1300	50	1,57
SRN 160/1500	159	212	1600	50	1,84
SRN 160/2000	159	212	2100	50	2,29
SRN 200/500	199	264	600	50	1,25
SRN 200/600	199	264	700	50	1,36
SRN 200/750	199	264	850	50	1,53
SRN 200/900	199	264	1000	50	1,71
SRN 200/1200	199	264	1300	50	2,05
SRN 200/1500	199	264	1600	50	2,40
SRN 200/2000	199	264	2100	50	2,98
SRN 250/500	249	314	600	50	1,53
SRN 250/600	249	314	700	50	1,67
SRN 250/750	249	314	850	50	1,88
SRN 250/900	249	314	1000	50	2,09
SRN 250/1200	249	314	1300	50	2,51
SRN 250/1500	249	314	1600	50	2,93
SRN 250/2000	249	314	2100	50	3,63
SRN 315/500	314	365	600	50	1,87
SRN 315/600	314	365	700	50	2,04
SRN 315/750	314	365	850	50	2,30
SRN 315/900	314	365	1000	50	2,55
SRN 315/1200	314	365	1300	50	3,06
SRN 315/1500	314	365	1600	50	3,56
SRN 315/2000	314	365	2100	50	4,41