

Bends

BSL-45

[Download Wentyle](#)
[Download AlnorCAM](#)
[Buy via B2B](#)

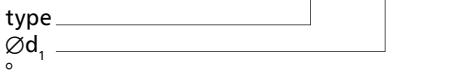


Description

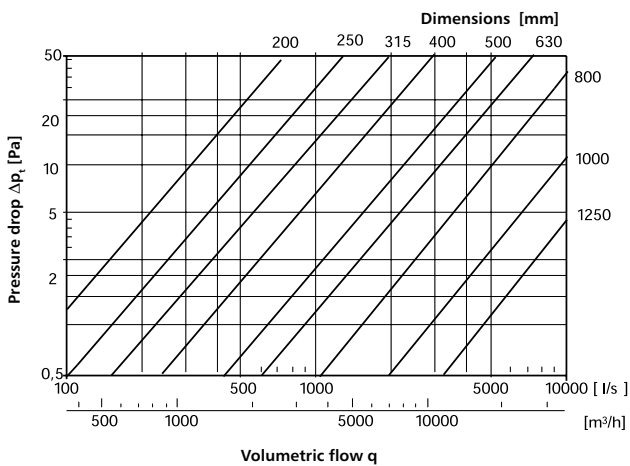
BSL – segmented bend with double EPDM gasket.

Example identification

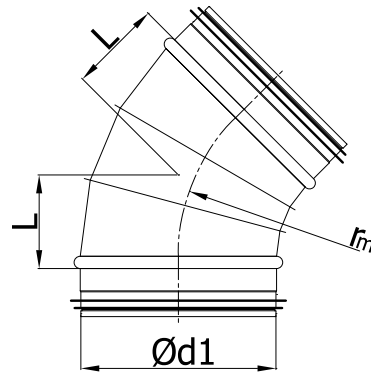
Product code: **BSL - aaa - 45**



Technical Data



Dimensions



$$r_m \approx 1 \times d_1$$

$\varnothing d_1$ rated [mm]	L [mm]	weight [kg]
200	83	0,65
224	93	0,78
250	104	0,96
280	116	1,18
300	124	1,33
315	130	1,44
355	145	2,11
400	162	3,07
450	186	4,75
500	204	5,60
560	232	6,80
600	249	7,65
630	261	8,30
710	294	12,90
800	331	15,80
900	373	19,40
1000	414	24,00
1120	464	33,00
1250	518	40,00
1400	578	48,80
1500	621	55,60
1600	663	62,40