

## CLASSIC MODEL



Aero 100  
Aero 125  
Aero 150



Aero  
Gold



Aero  
Chrome

### ■ Use

- Exhaust air fan

### ■ Application

- Residential premises
- Flats, cottages
- Offices
- Utility spaces
- Trade premises
- Restaurants
- Job sites
- Health care facilities
- Child care facilities

### ■ Options

#### Pull-cord switch

Pull-cord switch

#### Timer

Timer

- Time delay range from 2 to 30 min

#### Humidity sensor

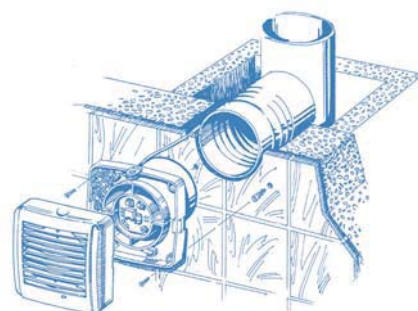
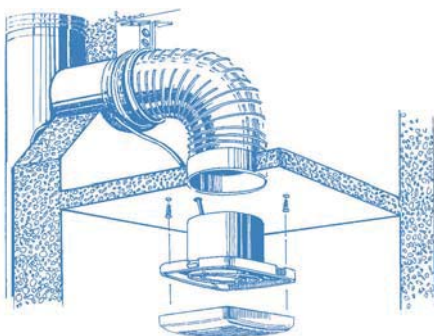
Humidity

- Humidity level range from 60 to 90%
- Time delay range from 2 to 30 min

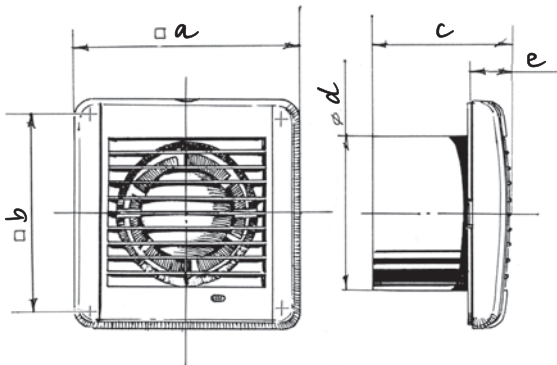
### ■ Features

- Wall and ceiling mounting
- Easy maintenance
- Long continuous work
- Back valve
- Ball bearing motor
- Decoration – Aero Chrome, Aero Gold
- 5 years guarantee

Type	Pull-cord switch	Timer	Humidity sensor
Aero 100			
100 S	●		
100 T		●	
100 ST	●	●	
100 H		●	●
100 SH	●	●	●
Aero 125			
125 S	●		
125 T		●	
125 ST	●	●	
125 H		●	●
125 SH	●	●	●
Aero 150			
150 S	●		
150 T		●	
150 ST	●	●	
150 H		●	●
150 SH	●	●	●

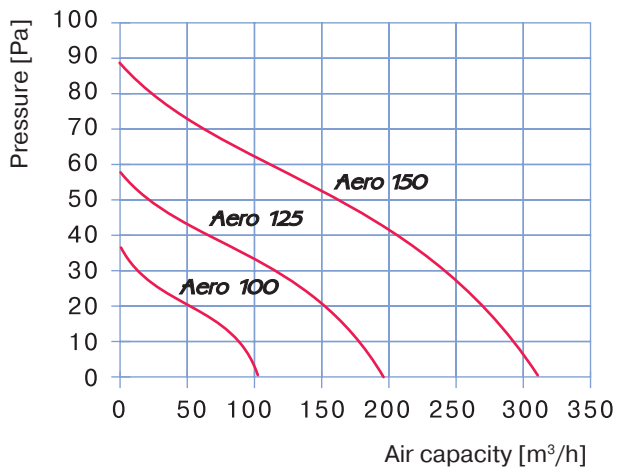


## Overall and mounting dimensions



Type	Dimensions [mm]				
	a	b	c	d	e
Aero 100	144	122	92.5	100	29.5
Aero 125	168	144	97	125	30
Aero 150	198	170	119	150	30

## Technical data



Parameters	Aero 100	Aero 125	Aero 150
Voltage [V]	220-240	220-240	220-240
Power [W]	14	16	24
Air capacity [m³/h]	102	193	309
Noise level [dB(A) 3m]	38	39	40
RPM [min <sup>-1</sup> ]	2300	2400	2400



## Packing

